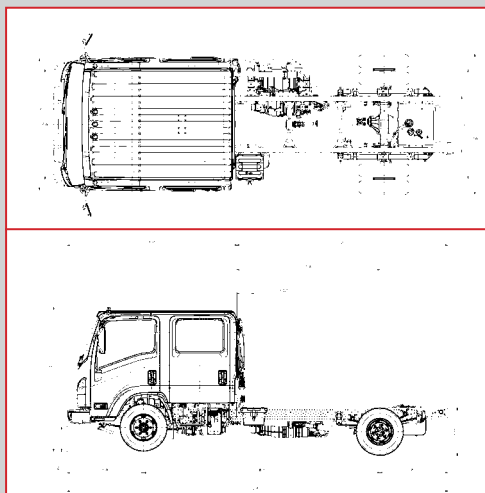


# NQR Diesel

## CREW CAB



Wheelbase (in.)	Cab to Axle (in.)	Cab to End of Frame (in.)	Back of Cab (in.)	Overall Length (in.)	Body Length (ft.)	Overall Width (in.)	Axle Width (in.)	Overall Height (in.)
1500	88.5	131.6	5.3	241.5	12	81.3	65.6	92.4
1760	114.5	157.6	5.3	267.5	16	81.3	65.6	92.4

### 2018 ISUZU N-SERIES DIESEL WARRANTY COVERAGE AT A GLANCE

Vehicle Coverage	Warranty Limitations (Time or Mileage, Whichever Comes First)		Percentage of Dealer's Normal Charge Paid by Owner	
	Time in Years*	Vehicle Miles*	Parts	Labor
Basic Engine	0-3 Years	Unlimited	No Charge	No Charge
• Transmission	0-3 Years	Unlimited	No Charge	No Charge
• Drive Axle				
• Driveshaft	0-3 Years	Unlimited	No Charge	No Charge
• Front Axle I-Beam				
• Crossmembers				
• Flywheel Housing				
• Clutch Housing				
Frame Rails	0-3 Years	Unlimited	No Charge	No Charge
	3-5 Years	Unlimited	50%	50%
Engine Emissions Control System - Federal	0-5 Years	0-100,000	No Charge	No Charge
Tires	0-2 Years	0-24,000	No Charge	No Charge
Corrosion (Rust Through)	0-4 Years	Unlimited	No Charge	No Charge

\* The warranty coverages are determined by the mileage of the vehicle and the number of years from the delivery date. See your authorized Isuzu dealer for warranty details.

<b>GVWR/GCWR</b>	17,950/23,950 lbs.
<b>BODY/PAYLOAD ALLOWANCE</b>	10,680-10,748 lbs.
<b>GAWR</b>	
Front	6,830 lbs.
Rear	12,980 lbs.
<b>FRONT AXLE CAPACITY</b>	6,830 lbs.
<b>REAR AXLE CAPACITY</b>	14,550 lbs.
Ratio	5.125
<b>SUSPENSION F/R SPRINGS</b>	Tapered/Multi-Leaf
Capacity	8,440/14,550 lbs.
<b>FRAME</b>	
Section Modulus	11.89 in. <sup>3</sup>
Resistance Bending Moment	523,160 lb.-ft./in.
<b>SERVICE BRAKES</b>	Hydraulic Boosted with 4-Channel ABS Disc/Drum
Front/Rear	
<b>EXHAUST BRAKE</b>	Standard
<b>TRANSMISSION</b>	Aisin A465 6-speed auto. with double overdrive and lock-up 2 <sup>nd</sup> -6 <sup>th</sup> gears
<b>ENGINE</b>	Isuzu 4HK1-TC turbocharged intercooled diesel
Displacement	5.2L (317 in. <sup>3</sup> )
Engine Power	215 hp @ 2,500 rpm
Engine Torque	452 lb.-ft. @ 1,850 rpm
Oil Level Indicator	Dash-mounted oil level check switch and light
<b>LIMITED SLIP DIFFERENTIAL</b>	Optional
<b>ALTERNATOR</b>	140-amp
<b>BATTERIES</b>	2 Maintenance-Free 750-CCA
<b>TIRES LRR (Low Rolling Resistance)</b>	225/70R19.5F (I2-pr) Standard
<b>STEERING</b>	Integral Hydraulic Power
<b>STEERING COLUMN</b>	Tilt and Telescopic
<b>FUEL TANK</b>	30 gal. in-rail
Standard	
<b>FUEL/WATER SEPARATOR</b>	Dual fuel filter with dash mounted indicator light

